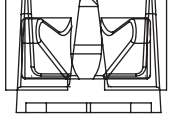
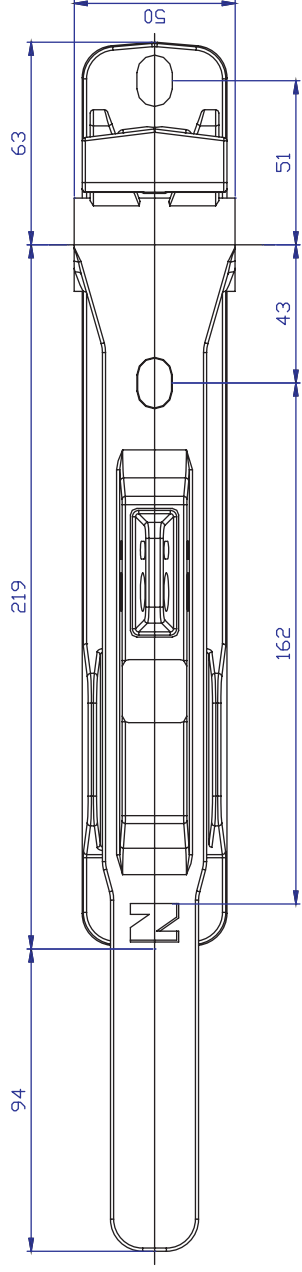


Normanton Flush Door Locking Mechanisms



Normanton standard below-door mounted Handle/Retainer assembly and top Cam/Keeper assembly.

Top Cam interlocks with Normanton heavy duty anti-racking plate to greatly reduce risk of water ingress.

Hot dipped galvanised anti corrosion finish as standard.

Standard option on *Smoothliner 3* Flush Doors.

