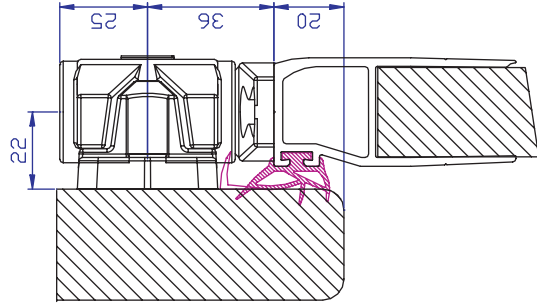
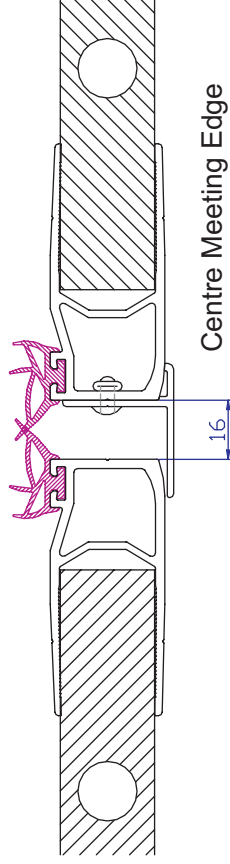
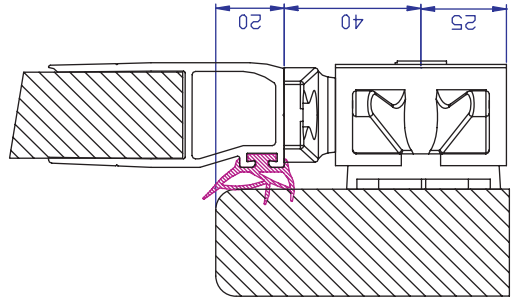


### Smoothliner 3 Standard Detailing

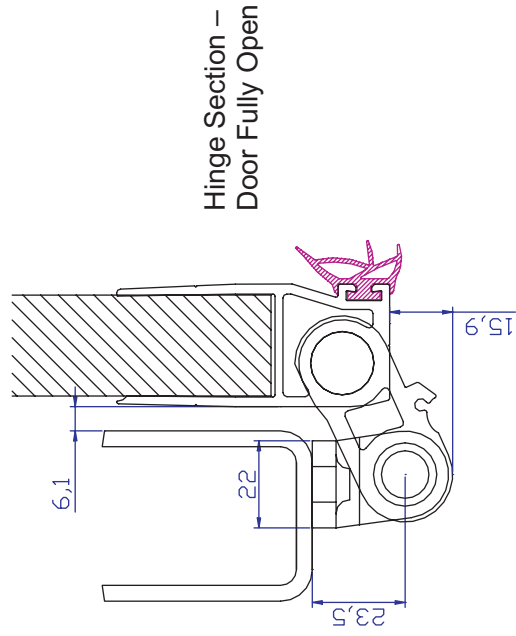
Upper Header Section –  
Normanton Cam/Keeper



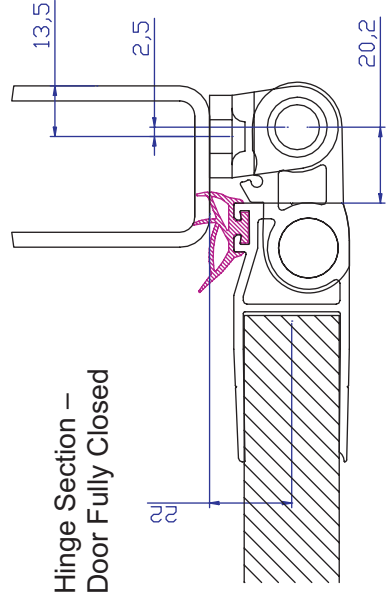
Lower Bearer Section –  
Normanton Cam/Keeper



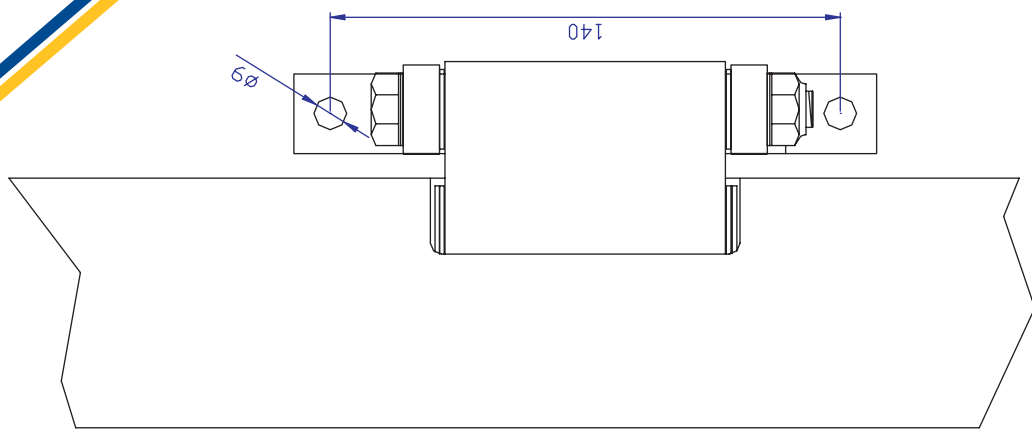
Centre Meeting Edge



Hinge Section –  
Door Fully Open



Hinge Section –  
Door Fully Closed



Standard Hinge/Bracket Assembly

