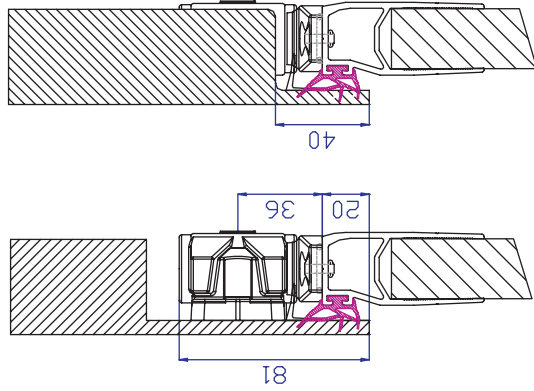
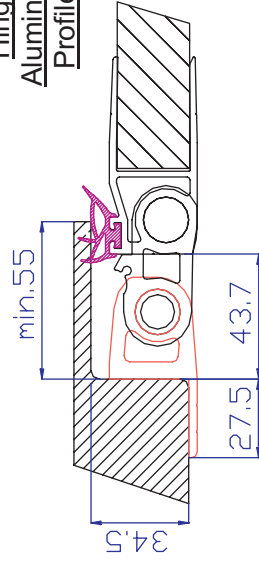


Header Sections,
Recessed Normanton
Cam/Keeper

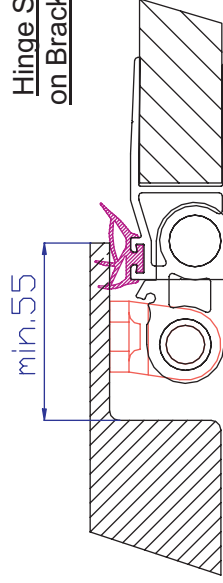


Smoothliner 3 Standard Side Door Detailing

Hinge Section,
Aluminium Support
Profile Mounting

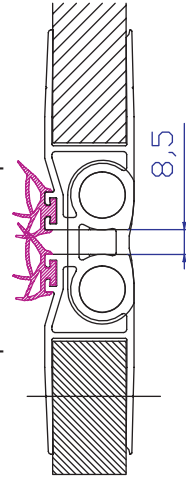


Hinge Section, Bolt
on Bracket Mounting



Hinge Section, Double
Hinge Profile Mounting

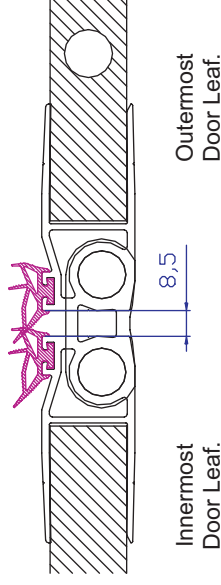
Note orientation of seals. All fins point inwards to aperture



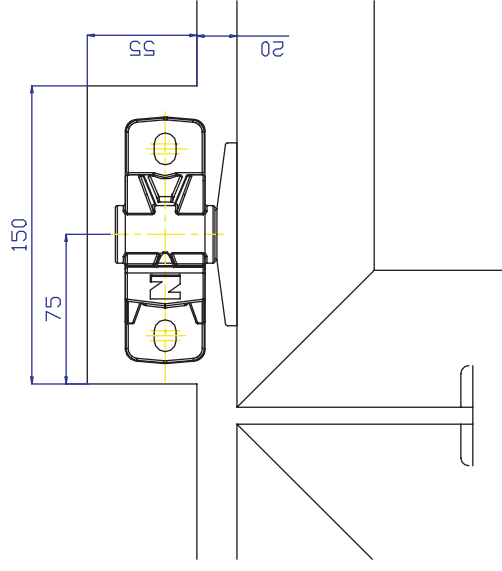
1" Box section or similar frame pillar for mounting doors.

Bi-folding Double Hinge Section

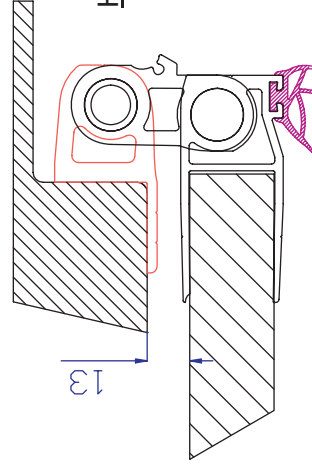
Note orientation of seals. All fins point inwards to aperture



Typical Top Keeper Frame Notching



Hinge Section, Fully
Open, Aluminium
Support Profile



Closing Edge
Section

